

# 36Mb DDRII CIO BL4 SRAM Specification

165FBGA with Pb & Pb Free  
(ROHS Compliant)

**NETSOL RESERVES THE RIGHT TO CHANGE PRODUCTS, INFORMATION AND SPECIFICATIONS WITHOUT NOTICE.**

Products and specifications discussed herein are for reference purposes only. All information discussed herein is provided on an "AS IS" basis, without warranties of any kind.

This document and all information discussed herein remain the sole and exclusive property of NETSOL. No license of any patent, copyright, mask work, trademark or any other intellectual property right is granted by one party to the other party under this document, by implication, estoppel or otherwise.

For updates or additional information about Netsol products, please contact to [netsol@netsol.co.kr](mailto:netsol@netsol.co.kr)

**Document Title**

**1Mx36 & 2Mx18 - Bit DDRII CIO Burst Length of 4 SRAM**

**Revision History**

Rev. No.	History	Draft Date	Remark
0.0	Initial Draft	Mar. 2012	Preliminary
1.0	Final spec release Add current spec value	Feb. 2013	Final
1.1	Change Thermal Resistance $\theta_{JA}$ value from 20.8°C/W to 16.3°C/W	Apr. 2013	Final
1.2	Change DLL locking time spec to 1024cycles from 2048cycles	May 2013	Final

**1Mx36 & 2Mx18 - Bit DDRII CIO Burst Length of 4 SRAM**

**Features**

- 1.8V+0.1V/-0.1V Power Supply.
- DLL circuitry for wide output data valid window and future frequency scaling.
- I/O Supply Voltage 1.5V+0.1V/-0.1V for 1.5V I/O, 1.8V+0.1V/-0.1V for 1.8V I/O.
- Pipelined, double-data rate operation.
- Common data input/output bus.
- HSTL I/O
- Full data coherency, providing most current data.
- Synchronous pipeline read with self timed late write.
- Registered address, control and data input/output.
- DDR (Double Data Rate) Interface on read and write ports.
- Fixed 4-bit burst for both read and write operation.
- Clock-stop supports to reduce current.
- Two input clocks (K and  $\bar{K}$ ) for accurate DDR timing at clock rising edges only.
- Two input clocks for output data (C and  $\bar{C}$ ) to minimize clock-skew and flight-time mismatches.
- Two echo clocks (CQ and  $\bar{CQ}$ ) to enhance output data traceability.
- Single address bus.
- Byte write (x18, x36) function.
- Simple depth expansion with no data contention.
- Programmable output impedance.
- JTAG 1149.1 compatible test access port.
- 165FBGA(11x15 ball array FBGA) with body size of 13x15mm & Lead Free

**Key Parameters**

Part Number	Org.	Cycle Time	Access Time	Unit	RoHS
S71323684M-E(F)C(I)33	X36	3.0	0.45	ns	O
S71323684M-E(F)C(I)30		3.3	0.45	ns	O
S71323684M-E(F)C(I)25		4.0	0.45	ns	O
S71321884M-E(F)C(I)33	X18	3.0	0.45	ns	O
S71321884M-E(F)C(I)30		3.3	0.45	ns	O
S71321884M-E(F)C(I)25		4.0	0.45	ns	O

\* -E(F)C(I)  
 E(F) [Package type]: E-Pb Free, F-Pb  
 C(I) [Operating Temperature]: C-Commercial, I-Industrial

**GENERAL DESCRIPTION**

The S71323684M and S71321884M are 37,748,736-bits DDR Common I/O Synchronous Pipelined Burst SRAMs. They are organized as 1,048,576 words by 36bits for S71323684M and 2,097,152 words by 18 bits for S71321884M. Address, data inputs, and all control signals are synchronized to the input clock (K or  $\bar{K}$ ). Normally data outputs are synchronized to output clocks (C and  $\bar{C}$ ), but when C and  $\bar{C}$  are tied high, the data outputs are synchronized to the input clocks (K and  $\bar{K}$ ). Read data are referenced to echo clock (CQ or  $\bar{CQ}$ ) outputs. Read address and write address are registered on rising edges of the input K clocks.

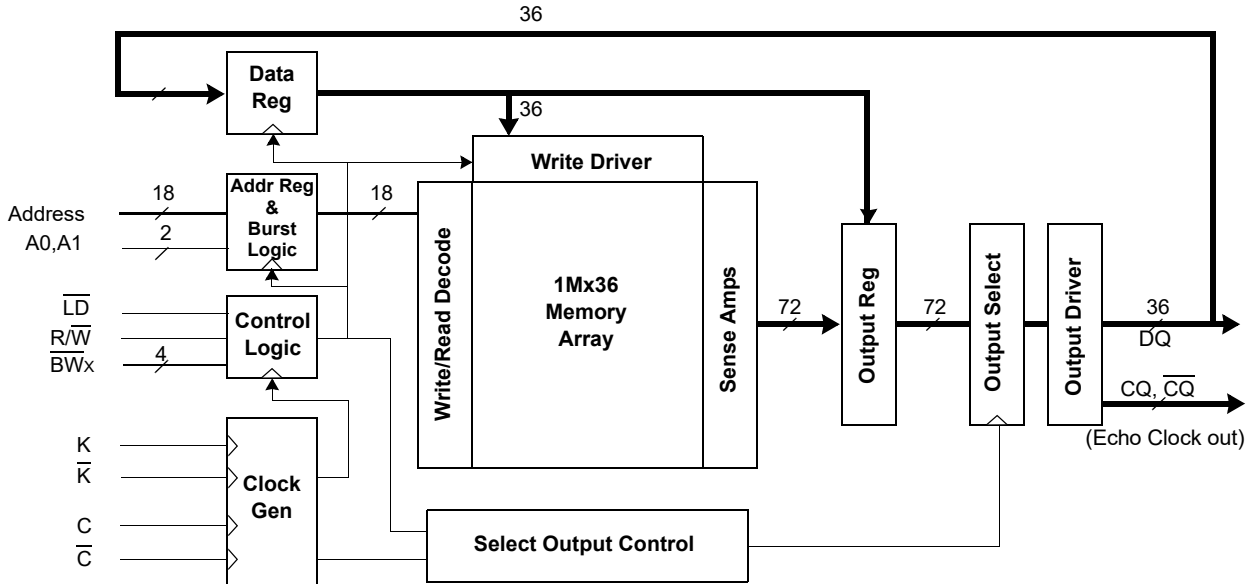
Common address bus is used to access address both for read and write operations. The internal burst counter is fixed to 4-bit sequential for both read and write operations. Synchronous pipeline read and late write enable high speed operations. Simple depth expansion is accomplished by using  $\bar{LD}$  for port selection. Byte write operation is supported with  $\bar{BW}_0$  and  $\bar{BW}_1$  ( $\bar{BW}_2$  and  $\bar{BW}_3$ ) pins for x18 (x36) device

IEEE 1149.1 serial boundary scan (JTAG) simplifies monitoring package pads attachment status with system. The S71323684M and S71321884M are implemented with Netsol's high performance 6T CMOS technology and is available in 165pin FBGA packages. Multiple power and ground pins minimize ground bounce.

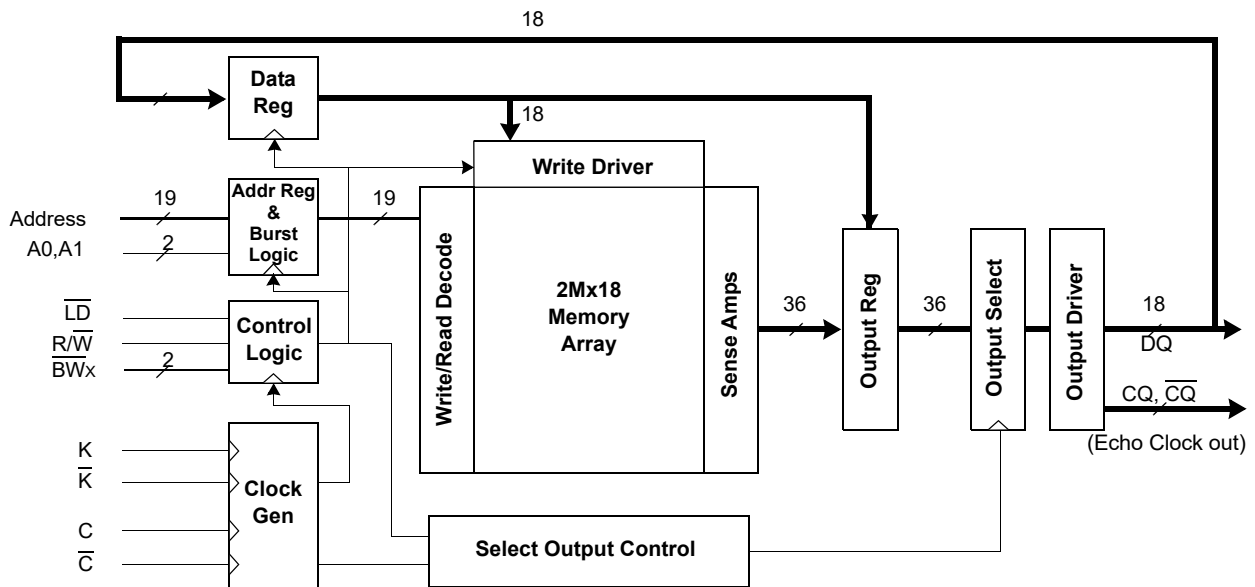
**S7I323684M**  
**S7I321884M**

**1Mx36 & 2Mx18 DDRII CIO BL4 SRAM**

Logic Block Diagram - S7I323684M (1M x 36)



Logic Block Diagram - S7I321884M (2M x 18)



**S7I323684M**  
**S7I321884M**

**1Mx36 & 2Mx18 DDRII CIO BL4 SRAM**

**165FBGA PKG Pin Configurations - S7I323684M (1Mx36) - Top View**

	1	2	3	4	5	6	7	8	9	10	11
A	$\overline{CQ}$	NC/SA*	SA	R/W	$\overline{BW}_2$	$\overline{K}$	$\overline{BW}_1$	$\overline{LD}$	SA	NC/SA*	CQ
B	NC	DQ27	DQ18	SA	$\overline{BW}_3$	K	$\overline{BW}_0$	SA	NC	NC	DQ8
C	NC	NC	DQ28	Vss	SA	SA0	SA1	Vss	NC	DQ17	DQ7
D	NC	DQ29	DQ19	Vss	Vss	Vss	Vss	Vss	NC	NC	DQ16
E	NC	NC	DQ20	VDDQ	Vss	Vss	Vss	VDDQ	NC	DQ15	DQ6
F	NC	DQ30	DQ21	VDDQ	VDD	Vss	VDD	VDDQ	NC	NC	DQ5
G	NC	DQ31	DQ22	VDDQ	VDD	Vss	VDD	VDDQ	NC	NC	DQ14
H	$\overline{Doff}$	VREF	VDDQ	VDDQ	VDD	Vss	VDD	VDDQ	VDDQ	VREF	ZQ
J	NC	NC	DQ32	VDDQ	VDD	Vss	VDD	VDDQ	NC	DQ13	DQ4
K	NC	NC	DQ23	VDDQ	VDD	Vss	VDD	VDDQ	NC	DQ12	DQ3
L	NC	DQ33	DQ24	VDDQ	Vss	Vss	Vss	VDDQ	NC	NC	DQ2
M	NC	NC	DQ34	Vss	Vss	Vss	Vss	Vss	NC	DQ11	DQ1
N	NC	DQ35	DQ25	Vss	SA	SA	SA	Vss	NC	NC	DQ10
P	NC	NC	DQ26	SA	SA	C	SA	SA	NC	DQ9	DQ0
R	TDO	TCK	SA	SA	SA	$\overline{C}$	SA	SA	SA	TMS	TDI

Notes: 1. \* Checked No Connect (NC) pins are reserved for higher density address, i.e. 10A for 72Mb, 2A for 144Mb.  
2.  $\overline{BW}_0$  controls write to DQ0:DQ8,  $\overline{BW}_1$  controls write to DQ9:DQ17,  $\overline{BW}_2$  controls write to DQ18:DQ26 and  $\overline{BW}_3$  controls write to DQ27:DQ35.

**Pin Name**

Symbol	Pin Numbers	Description	Note
K, $\overline{K}$	6B, 6A	Input Clock	
C, $\overline{C}$	6P, 6R	Input Clock for Output Data	1
CQ, $\overline{CQ}$	11A, 1A	Output Echo Clock	
$\overline{Doff}$	1H	DLL Disable when low	
SA0,SA1	6C,7C	Burst Count Address Inputs	
SA	3A,9A,4B,8B,5C,5N-7N,4P,5P,7P,8P,3R-5R,7R-9R	Address Inputs	
DQ0-35	2B,3B,11B,3C,10C,11C,2D,3D,11D,3E,10E,11E,2F,3F 11F,2G,3G,11G,3J,10J,11J,3K,10K,11K,2L,3L,11L 3M,10M,11M,2N,3N,11N,3P,10P,11P	Data Inputs Outputs	
R/W	4A	Read, Write Control Pin, Read active when high	
$\overline{LD}$	8A	Synchronous Load Pin, bus Cycle sequence is to be defined when low	
$\overline{BW}_0, \overline{BW}_1, \overline{BW}_2, \overline{BW}_3$	7B,7A,5A,5B	Block Write Control Pin, active when low	
VREF	2H,10H	Input Reference Voltage	
ZQ	11H	Output Driver Impedance Control Input	2
VDD	5F,7F,5G,7G,5H,7H,5J,7J,5K,7K	Power Supply (1.8 V)	
VDDQ	4E,8E,4F,8F,4G,8G,3H,4H,8H,9H,4J,8J,4K,8K,4L,8L	Output Power Supply (1.5V or 1.8V)	
Vss	4C,8C,4D-8D,5E-7E,6F,6G,6H,6J,6K,5L-7L, 4M-8M,4N,8N	Ground	
TMS	10R	JTAG Test Mode Select	
TDI	11R	JTAG Test Data Input	
TCK	2R	JTAG Test Clock	
TDO	1R	JTAG Test Data Output	
NC	2A,10A,1B,9B,10B,1C,2C,9C,1D,9D,10D,1E,2E,9E, 1F,9F,10F,1G,9G,10G,1J,2J,9J,1K,2K,9K 1L,9L,10L,1M,2M,9M,1N,9N,10N,1P,2P,9P	No Connect	3

Notes: 1. C,  $\overline{C}$ , K or  $\overline{K}$  cannot be set to VREF voltage.  
2. When ZQ pin is directly connected to VDD output impedance is set to minimum value and it cannot be connected to ground or left unconnected.  
3. Not connected to chip pad internally.

# S7I323684M S7I321884M

## 1Mx36 & 2Mx18 DDRII CIO BL4 SRAM

### 165FBGA PKG Pin Configurations - S7I321884M (2Mx18) - Top View

	1	2	3	4	5	6	7	8	9	10	11
A	$\overline{CQ}$	NC/SA*	SA	R/W	$\overline{BW}_1$	$\overline{K}$	NC	$\overline{LD}$	SA	SA	CQ
B	NC	DQ9	NC	SA	NC	K	$\overline{BW}_0$	SA	NC	NC	DQ8
C	NC	NC	NC	Vss	SA	SA0	SA1	Vss	NC	DQ7	NC
D	NC	NC	DQ10	Vss	Vss	Vss	Vss	Vss	NC	NC	NC
E	NC	NC	DQ11	VDDQ	Vss	Vss	Vss	VDDQ	NC	NC	DQ6
F	NC	DQ12	NC	VDDQ	VDD	Vss	VDD	VDDQ	NC	NC	DQ5
G	NC	NC	DQ13	VDDQ	VDD	Vss	VDD	VDDQ	NC	NC	NC
H	$\overline{Doff}$	VREF	VDDQ	VDDQ	VDD	Vss	VDD	VDDQ	VDDQ	VREF	ZQ
J	NC	NC	NC	VDDQ	VDD	Vss	VDD	VDDQ	NC	DQ4	NC
K	NC	NC	DQ14	VDDQ	VDD	Vss	VDD	VDDQ	NC	NC	DQ3
L	NC	DQ15	NC	VDDQ	Vss	Vss	Vss	VDDQ	NC	NC	DQ2
M	NC	NC	NC	Vss	Vss	Vss	Vss	Vss	NC	DQ1	NC
N	NC	NC	DQ16	Vss	SA	SA	SA	Vss	NC	NC	NC
P	NC	NC	DQ17	SA	SA	C	SA	SA	NC	NC	DQ0
R	TDO	TCK	SA	SA	SA	$\overline{C}$	SA	SA	SA	TMS	TDI

Notes: 1. \* Checked No Connect (NC) pins are reserved for higher density address, i.e. 2A for 72Mb.  
2.  $\overline{BW}_0$  controls write to DQ0:DQ8 and  $\overline{BW}_1$  controls write to DQ9:DQ17.

### Pin Name

Symbol	Pin Numbers	Description	Note
K, $\overline{K}$	6B, 6A	Input Clock	
C, $\overline{C}$	6P, 6R	Input Clock for Output Data	1
CQ, $\overline{CQ}$	11A, 1A	Output Echo Clock	
$\overline{Doff}$	1H	DLL Disable when low	
SA0, SA1	6C, 7C	Burst Count Address Inputs	
SA	3A, 9A, 10A, 4B, 8B, 5C, 5N-7N, 4P, 5P, 7P, 8P, 3R-5R, 7R-9R	Address Inputs	
DQ0-17	2B, 11B, 10C, 3D, 3E, 11E, 2F, 11F, 3G, 10J, 3K, 11K, 2L, 11L 10M, 3N, 3P, 11P	Data Inputs Outputs	
R/W	4A	Read, Write Control Pin, Read active when high	
$\overline{LD}$	8A	Synchronous Load Pin, bus Cycle sequence is to be defined when low	
$\overline{BW}_0$ , $\overline{BW}_1$	7B, 5A	Block Write Control Pin, active when low	
VREF	2H, 10H	Input Reference Voltage	
ZQ	11H	Output Driver Impedance Control Input	2
VDD	5F, 7F, 5G, 7G, 5H, 7H, 5J, 7J, 5K, 7K	Power Supply (1.8 V)	
VDDQ	4E, 8E, 4F, 8F, 4G, 8G, 3H, 4H, 8H, 9H, 4J, 8J, 4K, 8K, 4L, 8L	Output Power Supply (1.5V or 1.8V)	
Vss	4C, 8C, 4D-8D, 5E-7E, 6F, 6G, 6H, 6J, 6K, 5L-7L, 4M-8M, 4N, 8N	Ground	
TMS	10R	JTAG Test Mode Select	
TDI	11R	JTAG Test Data Input	
TCK	2R	JTAG Test Clock	
TDO	1R	JTAG Test Data Output	
NC	2A, 7A, 1B, 3B, 5B, 9B, 10B, 1C, 2C, 3C, 9C, 11C, 1D, 2D, 9D, 10D, 11D 1E, 2E, 9E, 10E, 1F, 3F, 9F, 10F, 1G, 2G, 9G, 10G, 11G 1J, 2J, 3J, 9J, 11J, 1K, 2K, 9K, 10K, 1L, 3L, 9L, 10L 1M, 2M, 3M, 9M, 11M, 1N, 2N, 9N, 10N, 11N, 1P, 2P, 9P, 10P	No Connect	3

Notes: 1. C,  $\overline{C}$ , K or  $\overline{K}$  cannot be set to VREF voltage.

2. When ZQ pin is directly connected to VDD output impedance is set to minimum value and it cannot be connected to ground or left unconnected.

3. Not connected to chip pad internally.

## Read Operations

Read cycles are initiated by initiating  $\overline{R/W}$  as high at the rising edge of the positive input clock K. Address is presented and stored in the read address register synchronized with K clock. For 4-bit burst DDR operation, it will access four 36-bit or 18-bit data words with each read command.

The first pipelined data is transferred out of the device triggered by  $\overline{C}$  clock following next  $\overline{K}$  clock rising edge. Next burst data is triggered by the rising edge of following C clock rising edge. Continuous read operations are initiated with K clock rising edge. And pipelined data are transferred out of device on every rising edge of both C and  $\overline{C}$  clocks. In case C and  $\overline{C}$  tied to high, output data are triggered by K and  $\overline{K}$  instead of C and  $\overline{C}$ .

When the  $\overline{LD}$  is disabled after a read operation, the S7I323684M and S7I321884M will first complete burst read operation before entering into deselect mode at the next K clock rising edge. Then output drivers disabled automatically to high impedance state.

## Write Operations

Write cycles are initiated by activating  $\overline{R/W}$  as low at the rising edge of the positive input clock K. Address is presented and stored in the write address register synchronized with next K clock. For 4-bit burst DDR operation, it will write four 36-bit or 18-bit data words with each write command.

The first "late write" data is transferred and registered in to the device synchronous with next K clock rising edge. Next burst data is transferred and registered synchronous with following  $\overline{K}$  clock rising edge. Continuous write operations are initiated with K rising edge.

And "late write" data is presented to the device on every rising edge of both K and  $\overline{K}$  clocks.

When the  $\overline{LD}$  is disabled, the S7I323684M and S7I321884M will enter into deselect mode. The device disregards input data presented on the same cycle  $\overline{LD}$  disabled.

The S7I323684M and S7I321884M support byte write operations. With activating  $\overline{BW}_0$  or  $\overline{BW}_1$  ( $\overline{BW}_2$  or  $\overline{BW}_3$ ) in write cycle, only one byte of input data is presented. In S7I321884M,  $\overline{BW}_0$  controls write operation to D0:D8,  $\overline{BW}_1$  controls write operation to D9:D17. And in S7I323684M,  $\overline{BW}_2$  controls write operation to D18:D26,  $\overline{BW}_3$  controls write operation to D27:D35.

## Single Clock Mode

S7I323684M and S7I321884M can be operated with the single clock pair K and  $\overline{K}$ , instead of C or  $\overline{C}$  for output clocks.

To operate these devices in single clock mode, C and  $\overline{C}$  must be tied high during power up and must be maintained high during operation. After power up, this device can't change to or from single clock mode. System flight time and clock skew could not be compensated in this mode.

## Depth Expansion

Each port can be selected and deselected independently with  $\overline{R/W}$  be shared among all SRAMs and provide a new  $\overline{LD}$  signal for each bank. Before chip deselected, all read and write pending operations are completed.

### **Programmable Impedance Output Buffer Operation**

The designer can program the SRAM's output buffer impedance by terminating the ZQ pin to Vss through a precision resistor (RQ). The value of RQ (within 15%) is five times the output impedance desired. For example, 250Ω resistor will give an output impedance of 50Ω.

Impedance updates occur early in cycles that do not activate the outputs, such as deselect cycles. In all cases impedance updates are transparent to the user and do not produce access time "push-outs" or other anomalous behavior in the SRAM.

There are no power up requirements for the SRAM. However, to guarantee optimum output driver impedance after power up, the SRAM needs 1024 non-read cycles.

### **Echo clock operation**

To assure the output traceability, the SRAM provides the output Echo clock, pair of compliment clock CQ and  $\overline{CQ}$ , which are synchronized with internal data output. Echo clocks run free during normal operation.

The Echo clock is triggered by internal output clock signal, and transferred to external through same structures as output driver.

### **Clock Consideration**

S7I323684M and S7I321884M utilize internal DLL (Delay-Locked Loops) for maximum output data valid window. It can be placed into a stopped-clock state to minimize power with a modest restart time of 1024 clock cycles.

Circuitry automatically resets the DLL when absence of input clock is detected.

### **Power-Up/Power-Down Supply Voltage Sequencing**

The following power-up supply voltage application is recommended: Vss, VDD, VDDQ, VREF, then VIN. VDD and VDDQ can be applied simultaneously, as long as VDDQ does not exceed VDD by more than 0.5V during power-up. The following power-down supply voltage removal sequence is recommended: VIN, VREF, VDDQ, VDD, Vss. VDD and VDDQ can be removed simultaneously, as long as VDDQ does not exceed VDD by more than 0.5V during power-down.

### **Detail Specification of Power-Up Sequence in DDRII SRAM**

DDRII SRAMs must be powered up and initialized in a predefined manner to prevent undefined operations.

#### **• Power-Up Sequence**

1. Apply power and keep  $\overline{Doff}$  at low state (All other inputs may be undefined)
  - Apply VDD before VDDQ
  - Apply VDDQ before VREF or the same time with VREF
2. Just after the stable power and clock (K,  $\overline{K}$ , C,  $\overline{C}$ ), take  $\overline{Doff}$  to be high.
3. The additional 1024 cycles of clock input is required to lock the DLL after enabling DLL

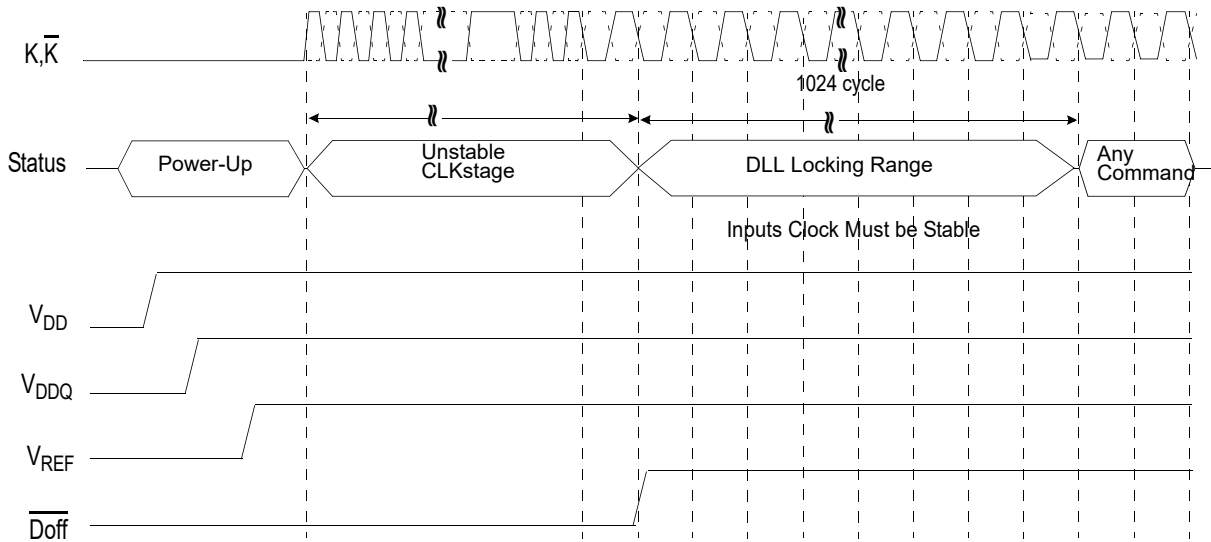
\* **Notes:** If you want to tie up the  $\overline{Doff}$  pin to High with unstable clock, then you must stop the clock for a few seconds (Min. 30ns) to reset the DLL after it become a stable clock status.

#### **• DLL Constraints**

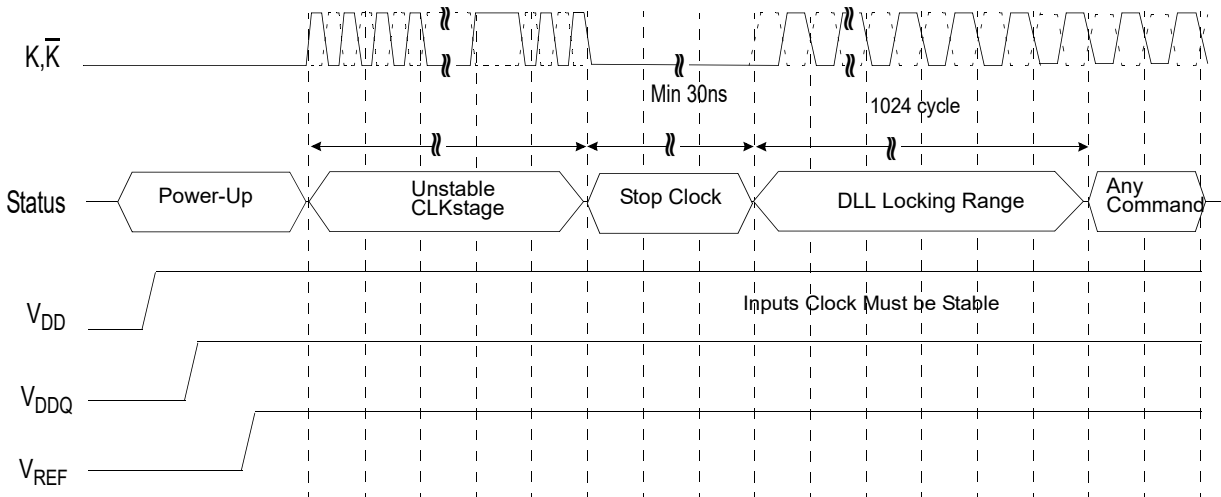
1. DLL uses either K or C clock as its synchronizing input, the input should have low phase jitter which is specified as TKC var.
2. The lower end of the frequency at which the DLL can operate is 8.4ns.
3. If the incoming clock is unstable and the DLL is enabled, then the DLL may lock onto a wrong frequency and this may cause the failure in the initial stage.



**Power up & Initialization Sequence ( $\overline{\text{Doff}}$  pin controlled)**



**Power up & Initialization Sequence ( $\overline{\text{Doff}}$  pin Fixed high, Clock controlled)**



\* **Notes:** When the operating frequency is changed, It is required to reset DLL again.  
After resetting DLL, the minimum 1024 cycles of clock input is needed to lock the DLL.

**S7I323684M**  
**S7I321884M**

**1Mx36 & 2Mx18 DDRII CIO BL4 SRAM**

**Linear Burst Sequence Table**

Burst Sequence	Case 1		Case 2		Case 3		Case 4	
	SA1	SA0	SA1	SA0	SA1	SA0	SA1	SA0
First Address	0	0	0	1	1	0	1	1
↓	0	1	1	0	1	1	0	0
↓	1	0	1	1	0	0	0	1
Fourth Address	1	1	0	0	0	1	1	0

**Truth Tables**

**Synchronous Truth Table**

K	$\overline{LD}$	R/ $\overline{W}$	Q				Operation
			Q(A0)	Q(A1)	Q(A2)	Q(A3)	
Stopped	X	X	Previous state	Previous state	Previous state	Previous state	Clock Stop
↑	H	X	High-Z	High-Z	High-Z	High-Z	No Operation
↑	L	H	Q <sub>OUT</sub> at $\overline{C}(t+1)$	Q <sub>OUT</sub> at C(t+2)	Q <sub>OUT</sub> at $\overline{C}(t+2)$	Q <sub>OUT</sub> at C(t+3)	Read
↑	L	L	Din at K(t+1)	Din at $\overline{K}(t+1)$	Din at K(t+2)	Din at $\overline{K}(t+2)$	Write

**Notes:** 1. X means "Don't Care".

2. The rising edge of clock is symbolized by (↑).

3. Before enter into clock stop status, all pending read and write operations will be completed.

**Write Truth Table (x18)**

K	$\overline{K}$	$\overline{BW}_0$	$\overline{BW}_1$	Operation
↑		L	L	Write All Bytes (K↑)
	↑	L	L	Write All Bytes ( $\overline{K}$ ↑)
↑		L	H	Write Byte 0 (K↑)
	↑	L	H	Write Byte 0 ( $\overline{K}$ ↑)
↑		H	L	Write Byte 1 (K↑)
	↑	H	L	Write Byte 1 ( $\overline{K}$ ↑)
↑		H	H	Write Nothing (K↑)
	↑	H	H	Write Nothing ( $\overline{K}$ ↑)

**Notes:** 1. X means "Don't Care".

2. All inputs in this table must meet setup and hold time around the rising edge of input clock K or  $\overline{K}$  (↑).

3. Assumes a WRITE cycle was initiated.

4. This table illustrates operation for x18 devices.

**Write Truth Table (x36)**

K	$\overline{K}$	$\overline{BW}_0$	$\overline{BW}_1$	$\overline{BW}_2$	$\overline{BW}_3$	Operation
↑		L	L	L	L	Write All Bytes (K↑)
	↑	L	L	L	L	Write All Bytes ( $\overline{K}$ ↑)
↑		L	H	H	H	Write Byte 0 (K↑)
	↑	L	H	H	H	Write Byte 0 ( $\overline{K}$ ↑)
↑		H	L	H	H	Write Byte 1 (K↑)
	↑	H	L	H	H	Write Byte 1 ( $\overline{K}$ ↑)
↑		H	H	L	L	Write Byte 2 and Byte 3 (K↑)
	↑	H	H	L	L	Write Byte 2 and Byte 3 ( $\overline{K}$ ↑)
↑		H	H	H	H	Write Nothing (K↑)
	↑	H	H	H	H	Write Nothing ( $\overline{K}$ ↑)

**Notes:** 1. X means "Don't Care".

2. All inputs in this table must meet setup and hold time around the rising edge of input clock K or  $\overline{K}$  (↑).

3. Assumes a WRITE cycle was initiated.

# S7I323684M S7I321884M

## 1Mx36 & 2Mx18 DDRII CIO BL4 SRAM

### Absolute Maximum Ratings\*

Parameter	Symbol	Rating	Unit
Voltage on V <sub>DD</sub> Supply Relative to V <sub>SS</sub>	V <sub>DD</sub>	-0.5 to 2.9	V
Voltage on V <sub>DDQ</sub> Supply Relative to V <sub>SS</sub>	V <sub>DDQ</sub>	-0.5 to V <sub>DD</sub>	V
Voltage on Input Pin Relative to V <sub>SS</sub>	V <sub>IN</sub>	-0.5 to V <sub>DD</sub> +0.3	V
Storage Temperature	T <sub>STG</sub>	-65 to 150	°C
Operating Temperature	T <sub>OPR</sub>	Commercial / Industrial 0 to 70 / -40 to 85	°C
Storage Temperature Range Under Bias	T <sub>BIAS</sub>	-10 to 85	°C

\*Note: 1. Stresses greater than those listed under "Absolute Maximum Ratings" may cause permanent damage to the device. This is a stress rating only and functional operation of the device at these or any other conditions above those indicated in the operating sections of this specification is not implied. Exposure to absolute maximum rating conditions for extended periods may affect reliability.

2. V<sub>DDQ</sub> must not exceed V<sub>DD</sub> during normal operation.

### Operating Conditions

Parameter	Symbol	Min	Max	Unit
Supply Voltage	V <sub>DD</sub>	1.7	1.9	V
	V <sub>DDQ</sub>	1.4	1.9	V
Reference Voltage	V <sub>REF</sub>	0.68	0.95	V

### DC Electrical Characteristics

Parameter	Symbol	test Conditions	Min	Max	Unit	Notes
Input Leakage Current	I <sub>IL</sub>	V <sub>DD</sub> =Max; V <sub>IN</sub> =V <sub>SS</sub> to V <sub>DDQ</sub>	-2	+2	μA	
Output Leakage Current	I <sub>OL</sub>	Output Disabled,	-2	+2	μA	
Operating Current (x36)	I <sub>CC</sub>	V <sub>DD</sub> =Max, I <sub>OUT</sub> =0mA Cycle Time ≥ t <sub>KHKH</sub> Min	-33	430	mA	1,5
			-30	410		
			-25	390		
Operating Current (x18)	I <sub>CC</sub>	V <sub>DD</sub> =Max, I <sub>OUT</sub> =0mA Cycle Time ≥ t <sub>KHKH</sub> Min	-33	380	mA	1,5
			-30	370		
			-25	360		
Standby Current (NOP)	I <sub>SB1</sub>	Device deselected, I <sub>OUT</sub> =0mA, f=Max, All Inputs ≤ 0.2V or ≥ V <sub>DD</sub> -0.2V	-33	250	mA	1,6
			-30	245		
			-25	235		
Output High Voltage	V <sub>OH1</sub>		V <sub>DDQ</sub> /2-0.12	V <sub>DDQ</sub> /2+0.12	V	2,7
Output Low Voltage	V <sub>OL1</sub>		V <sub>DDQ</sub> /2-0.12	V <sub>DDQ</sub> /2+0.12	V	3,7
Output High Voltage	V <sub>OH2</sub>	I <sub>OH</sub> =-1.0mA	V <sub>DDQ</sub> -0.2	V <sub>DDQ</sub>	V	4
Output Low Voltage	V <sub>OL2</sub>	I <sub>OL</sub> =1.0mA	V <sub>SS</sub>	0.2	V	4
Input Low Voltage	V <sub>IL</sub>		-0.3	V <sub>REF</sub> -0.1	V	8,9
Input High Voltage	V <sub>IH</sub>		V <sub>REF</sub> +0.1	V <sub>DDQ</sub> +0.3	V	8,10

Notes: 1. Minimum cycle. I<sub>OUT</sub>=0mA.

2. |I<sub>OH</sub>|=(V<sub>DDQ</sub>/2)/(R<sub>Q</sub>/5) for 175Ω ≤ R<sub>Q</sub> ≤ 350Ω.

3. |I<sub>OL</sub>|=(V<sub>DDQ</sub>/2)/(R<sub>Q</sub>/5) for 175Ω ≤ R<sub>Q</sub> ≤ 350Ω.

4. Minimum Impedance Mode when ZQ pin is connected to V<sub>DD</sub>.

5. Operating current is calculated with 50% read cycles and 50% write cycles.

6. Standby Current is only after all pending read and write burst operations are completed.

7. Programmable Impedance Mode.

8. These are DC test criteria. DC design criteria is V<sub>REF</sub>±50mV. The AC V<sub>IH</sub>/V<sub>IL</sub> levels are defined separately for measuring timing parameters.

9. V<sub>IL</sub> (Min.) DC=-0.3V, V<sub>IL</sub> (Min.) AC=-1.5V(pulse width ≤ 3ns).

10. V<sub>IH</sub> (Max) DC=V<sub>DDQ</sub>+0.3, V<sub>IH</sub> (Max) AC=V<sub>DDQ</sub>+0.85V(pulse width ≤ 3ns).

# S7I323684M S7I321884M

## 1Mx36 & 2Mx18 DDRII CIO BL4 SRAM

### AC Electrical Characteristics

Parameter	Symbol	Min	Max	Unit	Notes
Input High Voltage	$V_{IH(AC)}$	$V_{REF} + 0.2$	-	V	1,2
Input Low Voltage	$V_{IL(AC)}$	-	$V_{REF} - 0.2$	V	1,2

- Notes:** 1. This condition is for AC function test only, not for AC parameter test.  
 2. To maintain a valid level, the transition edge of the input must:  
 a) Sustain a constant slew rate from the current AC level through the target AC level,  $V_{IL(AC)}$  or  $V_{IH(AC)}$   
 b) Reach at least the target AC level  
 c) After the AC target level is reached, continue to maintain at least the target DC level,  $V_{IL(DC)}$  or  $V_{IH(DC)}$

### AC Timing Characteristics

Parameter	Symbol	-33		-30		-25		Unit	Notes
		Min	Max	Min	Max	Min	Max		
<b>Clock</b>									
Clock Cycle Time ( $K, \bar{K}, C, \bar{C}$ )	$t_{KHKL}$	3.00	8.40	3.30	8.40	4.00	8.40	ns	
Clock Phase Jitter ( $K, \bar{K}, C, \bar{C}$ )	$t_{KC var}$		0.20		0.20		0.20	ns	5
Clock High Time ( $K, \bar{K}, C, \bar{C}$ )	$t_{KHKL}$	1.2		1.32		1.60		ns	
Clock Low Time ( $K, \bar{K}, C, \bar{C}$ )	$t_{KLKH}$	1.2		1.32		1.60		ns	
Clock to $\bar{C}$ lock ( $K\uparrow \rightarrow \bar{K}\uparrow, C\uparrow \rightarrow \bar{C}\uparrow$ )	$t_{KH\bar{K}H}$	1.35		1.49		1.80		ns	
Clock to data clock ( $K\uparrow \rightarrow C\uparrow, \bar{K}\uparrow \rightarrow \bar{C}\uparrow$ )	$t_{KHCH}$	0.00	1.30	0.00	1.45	0.00	1.80	ns	
DLL Lock Time ( $K, C$ )	$t_{KC lock}$	1024		1024		1024		cycle	6
K Static to DLL reset	$t_{KC reset}$	30		30		30		ns	
<b>Output Times</b>									
$C, \bar{C}$ High to Output Valid	$t_{CHQV}$		0.45		0.45		0.45	ns	3
$C, \bar{C}$ High to Output Hold	$t_{CHQX}$	-0.45		-0.45		-0.45		ns	3
$C, \bar{C}$ High to Echo Clock Valid	$t_{CHCQV}$		0.45		0.45		0.45	ns	
$C, \bar{C}$ High to Echo Clock Hold	$t_{CHCQX}$	-0.45		-0.45		-0.45		ns	
$CQ, \bar{C}Q$ High to Output Valid	$t_{CQHCV}$		0.25		0.27		0.30	ns	7
$CQ, \bar{C}Q$ High to Output Hold	$t_{CQHCV}$	-0.25		-0.27		-0.30		ns	7
$\bar{C}$ , High to Output High-Z	$t_{CHQZ}$		0.45		0.45		0.45	ns	3
$\bar{C}$ , High to Output Low-Z	$t_{CHQX1}$	-0.45		-0.45		-0.45		ns	3
<b>Setup Times</b>									
Address valid to K rising edge	$t_{AVKH}$	0.40		0.40		0.50		ns	
Control inputs valid to K rising edge	$t_{IVKH}$	0.40		0.40		0.50		ns	2
Data-in valid to $K, \bar{K}$ rising edge	$t_{DVKH}$	0.28		0.30		0.35		ns	
<b>Hold Times</b>									
K rising edge to address hold	$t_{KHAX}$	0.40		0.40		0.50		ns	
K rising edge to control inputs hold	$t_{KHIX}$	0.40		0.40		0.50		ns	
$K, \bar{K}$ rising edge to data-in hold	$t_{KHDX}$	0.28		0.30		0.35		ns	

- Notes:** 1. All address inputs must meet the specified setup and hold times for all latching clock edges.  
 2. Control signals are  $R/\bar{W}$ ,  $\bar{LD}$ ,  $\bar{BW}_0, \bar{BW}_1$  and  $(\bar{BW}_2, \bar{BW}_3)$ , also for x36).  
 3. If  $C, \bar{C}$  are tied high,  $K, \bar{K}$  become the references for  $C, \bar{C}$  timing parameters.  
 4. To avoid bus contention, at a given voltage and temperature  $t_{CHQX1}$  is bigger than  $t_{CHQZ}$ .  
 The specs as shown do not imply bus contention because  $t_{CHQX1}$  is a MIN parameter that is worst case at totally different test conditions (0°C, 1.9V) than  $t_{CHQZ}$ , which is a MAX parameter (worst case at 70°C, 1.7V)  
 It is not possible for two SRAMs on the same board to be at such different voltage and temperature.  
 5. Clock phase jitter is the variance from clock rising edge to the next expected clock rising edge.  
 6. Vdd slew rate must be less than 0.1V DC per 50 ns for DLL lock retention. DLL lock time begins once Vdd and input clock are stable.  
 7. Echo clock is very tightly controlled to data valid/data hold. By design, there is a  $\pm 0.1$  ns variation from echo clock to data.  
 The data sheet parameters reflect tester guardbands and test setup variations.

# S7I323684M S7I321884M

## 1Mx36 & 2Mx18 DDRII CIO BL4 SRAM

### Thermal Resistance

Parameter	Symbol	Typical	Unit	Notes
Junction to Ambient	$\theta_{JA}$	16.3	$^{\circ}\text{C/W}$	
Junction to Case	$\theta_{JC}$	2.3	$^{\circ}\text{C/W}$	
Junction to Pins	$\theta_{JB}$	4.3	$^{\circ}\text{C/W}$	

**Note:** Junction temperature is a function of on-chip power dissipation, package thermal impedance, mounting site temperature and mounting site thermal impedance.  $T_J = T_A + P_D \times \theta_{JA}$

### Pin Capacitance

Parameter	Symbol	Test Condition	Typ	Max	Unit	Notes
Address Control Input Capacitance	$C_{IN}$	$V_{IN}=0V$	3.5	4	pF	
Input and Output Capacitance	$C_{OUT}$	$V_{OUT}=0V$	4	5	pF	
Clock Capacitance	$C_{CLK}$	-	3	4	pF	

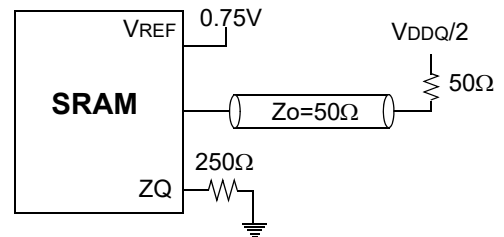
**Note:** 1. Parameters are tested with  $R_Q=250\Omega$  and  $V_{DDQ}=1.5V$ .  
2. Periodically sampled and not 100% tested.

### AC Test Conditions

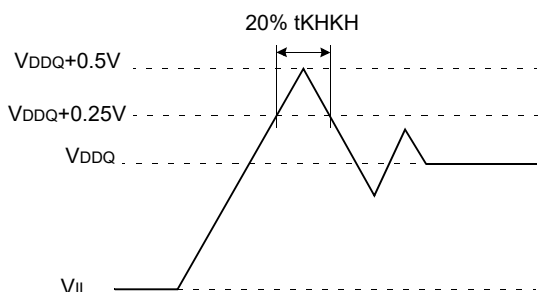
Parameter	Symbol	Value	Unit
Core Power Supply Voltage	$V_{DD}$	1.7~1.9	V
Output Power Supply Voltage	$V_{DDQ}$	1.4~1.9	V
Input High/Low Level	$V_{IH}/V_{IL}$	1.25/0.25	V
Input Reference Level	$V_{REF}$	0.75	V
Input Rise/Fall Time	$T_R/T_F$	0.3/0.3	ns
Output Timing Reference Level		$V_{DDQ}/2$	V

**Note:** Parameters are tested with  $R_Q=250\Omega$

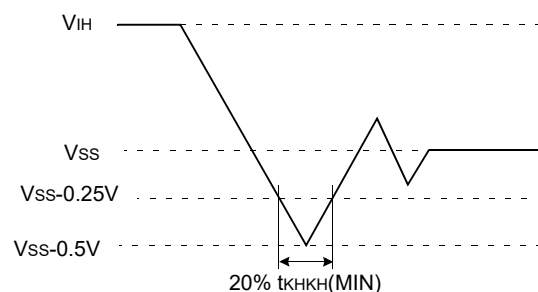
### AC Test Output Load



### Overshoot Timing

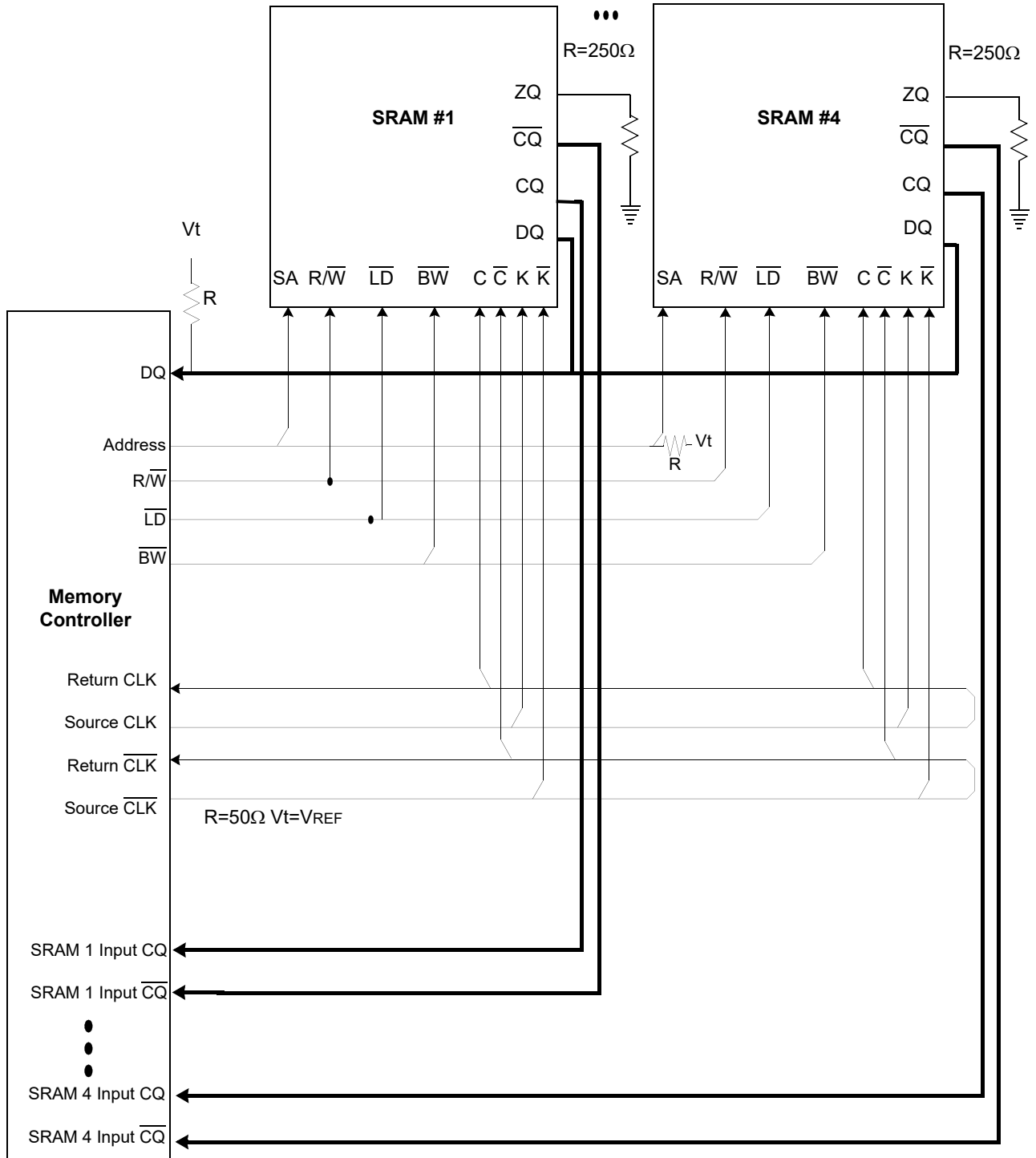


### Undershoot Timing

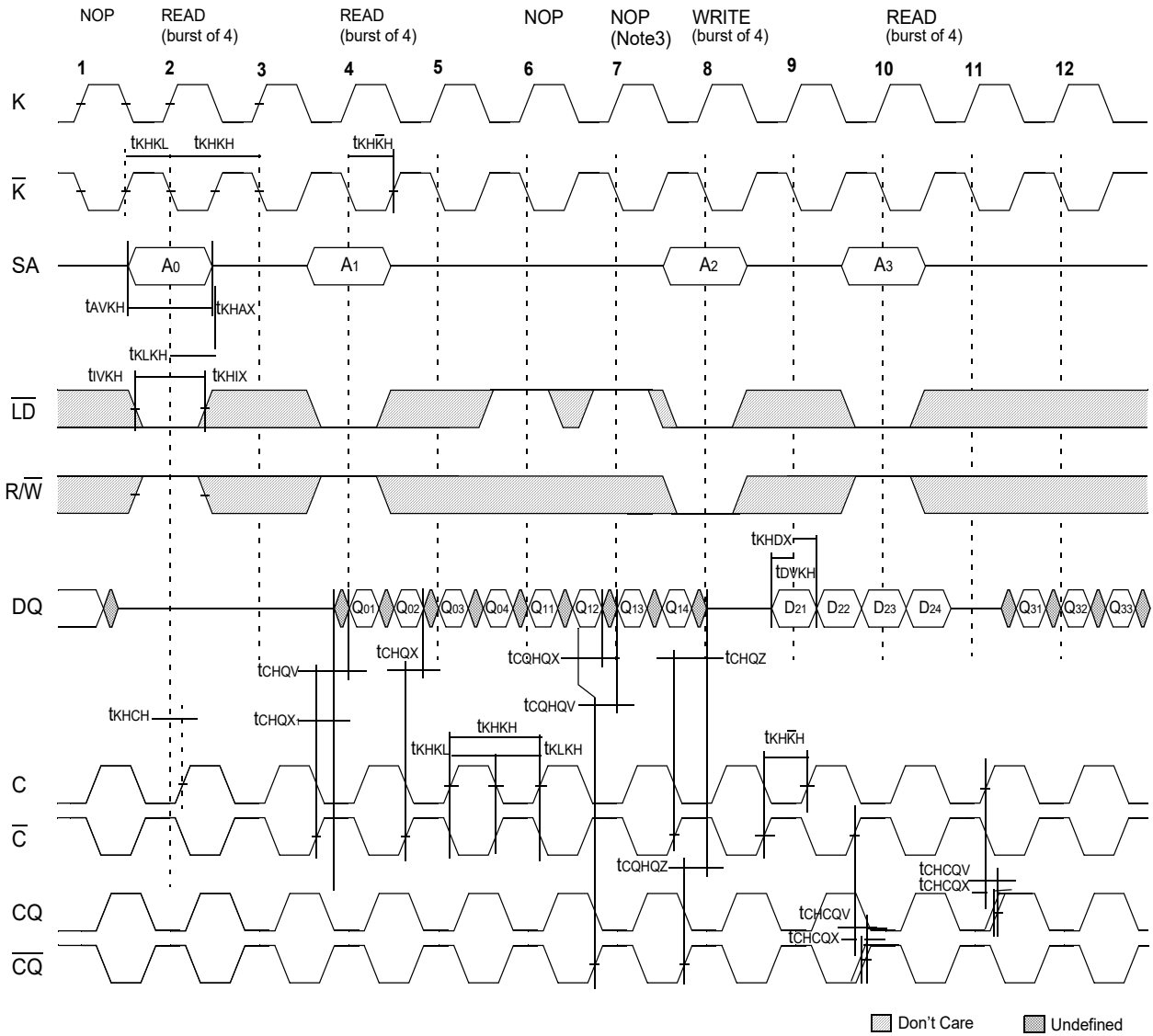


**Note:** For power-up,  $V_{IH} \leq V_{DDQ}+0.3V$  and  $V_{DD} \leq 1.7V$  and  $V_{DDQ} \leq 1.4V$   $t \leq 200ms$

Application Information



**Timing Wave Forms of Read, Write and NOP**



**NOTE**

1. Q01 refers to output from address A. Q02 refers to output from the next internal burst address following A, etc.
2. Outputs are disabled (High-Z) one clock cycle after a NOP.
3. The second NOP cycle is not necessary for correct device operation; however, at high clock frequencies, it may be required to prevent bus contention.

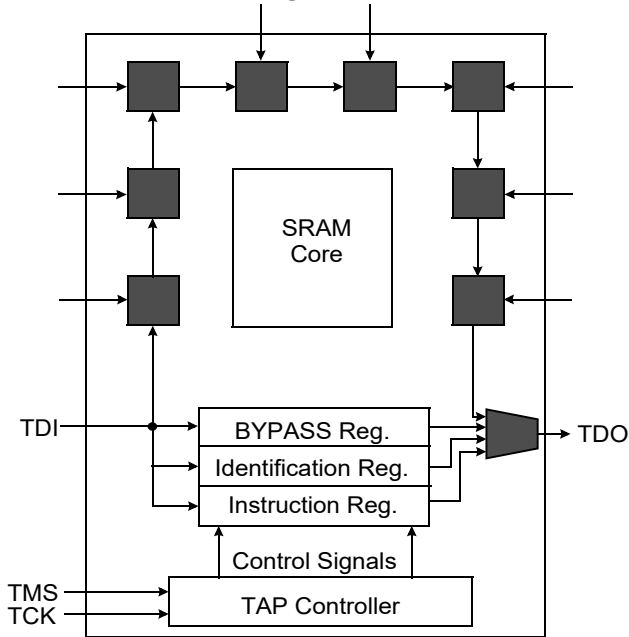
# S7I323684M S7I321884M

## 1Mx36 & 2Mx18 DDRII CIO BL4 SRAM

### IEEE 1149.1 Test Access Port and Boundary Scan-JTAG

This part contains an IEEE standard 1149.1 Compatible Test Access Port (TAP). The package pads are monitored by the Serial Scan circuitry when in test mode. This is to support connectivity testing during manufacturing and system diagnostics. Internal data is not driven out of the SRAM under JTAG control. In conformance with IEEE 1149.1, the SRAM contains a TAP controller, Instruction Register, Bypass Register and ID register. The TAP controller has a standard 16-state machine that resets internally upon power-up, therefore, TRST signal is not required. It is possible to use this device without utilizing the TAP. To disable the TAP controller without interfacing with normal operation of the SRAM, TCK must be tied to Vss to preclude mid level input. TMS and TDI are designed so an undriven input will produce a response identical to the application of a logic 1, and may be left unconnected. But they may also be tied to VDD through a resistor. TDO should be left unconnected.

#### JTAG Block Diagram



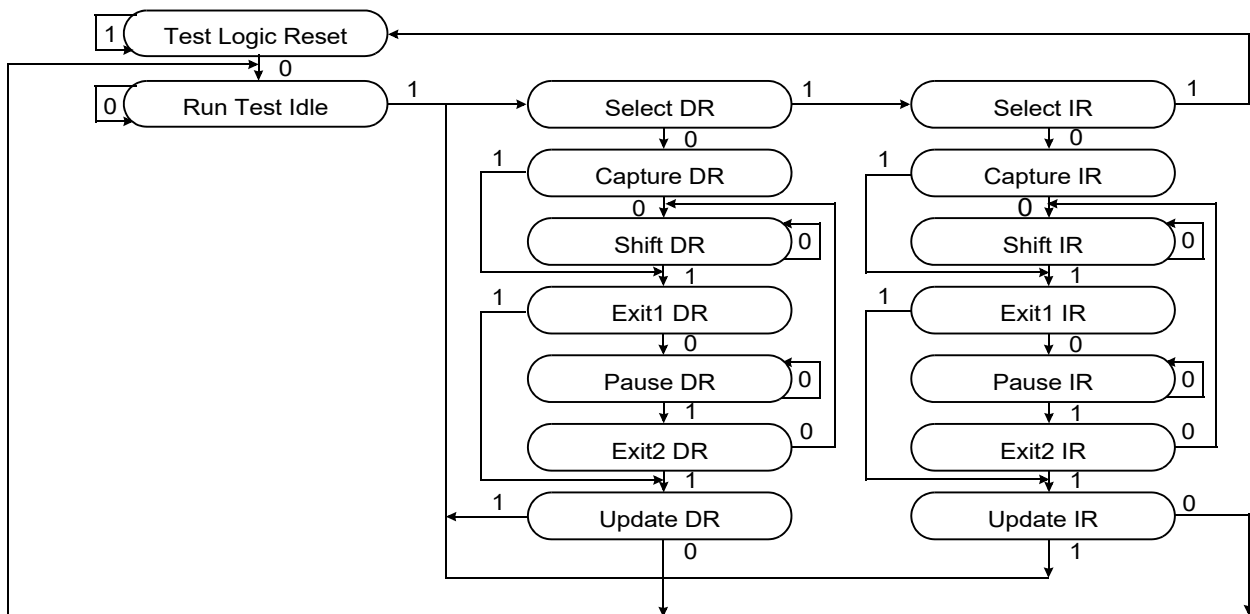
#### JTAG Instruction Coding

IR2	IR1	IR0	Instruction	TDO Output	Notes
0	0	0	EXTEST	Boundary Scan Register	1
0	0	1	IDCODE	Identification Register	3
0	1	0	SAMPLE-Z	Boundary Scan Register	2
0	1	1	RESERVED	Do Not Use	6
1	0	0	SAMPLE	Boundary Scan Register	5
1	0	1	RESERVED	Do Not Use	6
1	1	0	RESERVED	Do Not Use	6
1	1	1	BYPASS	Bypass Register	4

#### NOTE:

1. Places DQs in Hi-Z in order to sample all input data regardless of other SRAM inputs. This instruction is not IEEE 1149.1 compliant.
2. Places DQs in Hi-Z in order to sample all input data regardless of other SRAM inputs.
3. TDI is sampled as an input to the first ID register to allow for the serial shift of the external TDI data.
4. Bypass register is initiated to Vss when BYPASS instruction is invoked. The Bypass Register also holds serially loaded TDI when exiting the Shift DR states.
5. SAMPLE instruction dose not places DQs in Hi-Z.
6. This instruction is reserved for future use.

#### TAP Controller State Diagram





# S7I323684M S7I321884M

## 1Mx36 & 2Mx18 DDRII CIO BL4 SRAM

### Scan Register Definition

Part	Instruction Register	Bypass Register	ID Register	Boundary Scan
1M x 36 2M x 18	3 bits	1 bit	32 bits	109 bits

### ID Registration Definition

Part	Revision Number (31:29)	Part Configuration (28:12)	Netsol JEDEC Code (11: 1)	Start Bit(0)
1M x 36 2M x 18	000	00def0wx0t0q0b0s0	01111011001	1

**Note:** Part Configuration

/def=010 for 36Mb, /wx=11 for x36, 10 for x18

/t=1 for DLL Ver., 0 for non-DLL Ver. /q=1 for Quadruple, 0 for DDR /b=1 for 4Bit Burst, 0 for 2Bit Burst /s=1 for Separate I/O, 0 for Common I/O

### Boundary Scan Exit Order

Order	Pin ID
1	6R
2	6P
3	6N
4	7P
5	7N
6	7R
7	8R
8	8P
9	9R
10	11P
11	10P
12	10N
13	9P
14	10M
15	11N
16	9M
17	9N
18	11L
19	11M
20	9L
21	10L
22	11K
23	10K
24	9J
25	9K
26	10J
27	11J
28	11H
29	10G
30	9G
31	11F
32	11G
33	9F
34	10F
35	11E
36	10E

Order	Pin ID
37	10D
38	9E
39	10C
40	11D
41	9C
42	9D
43	11B
44	11C
45	9B
46	10B
47	11A
48	10A
49	9A
50	8B
51	7C
52	6C
53	8A
54	7A
55	7B
56	6B
57	6A
58	5B
59	5A
60	4A
61	5C
62	4B
63	3A
64	2A
65	1A
66	2B
67	3B
68	1C
69	1B
70	3D
71	3C
72	1D

Order	Pin ID
73	2C
74	3E
75	2D
76	2E
77	1E
78	2F
79	3F
80	1G
81	1F
82	3G
83	2G
84	1H
85	1J
86	2J
87	3K
88	3J
89	2K
90	1K
91	2L
92	3L
93	1M
94	1L
95	3N
96	3M
97	1N
98	2M
99	3P
100	2N
101	2P
102	1P
103	3R
104	4R
105	4P
106	5P
107	5N
108	5R
109	Internal

**Note:** 1. NC pins are read as "X" (i.e. don't care.)

**JTAG DC Operating Conditions**

Parameter	Symbol	Min	Typ	Max	Unit	Note
Power Supply Voltage	V <sub>DD</sub>	1.7	1.8	1.9	V	
Input High Level	V <sub>IH</sub>	1.3	-	V <sub>DD</sub> +0.3	V	
Input Low Level	V <sub>IL</sub>	-0.3	-	0.5	V	
Output High Voltage (I <sub>OH</sub> =-2mA)	V <sub>OH</sub>	1.4	-	V <sub>DD</sub>	V	
Output Low Voltage(I <sub>OL</sub> =2mA)	V <sub>OL</sub>	V <sub>SS</sub>	-	0.4	V	

**Note:** 1. The input level of SRAM pin is to follow the SRAM DC specification.

**JTAG AC Test Conditions**

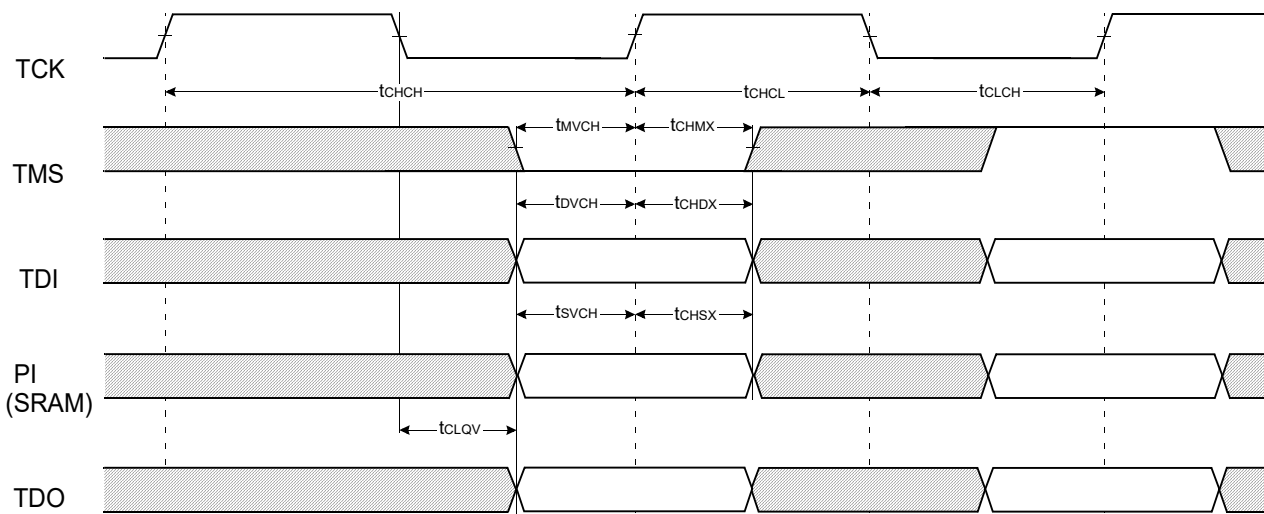
Parameter	Symbol	Min	Unit	Note
Input High/Low Level	V <sub>IH</sub> /V <sub>IL</sub>	1.8/0.0	V	
Input Rise/Fall Time	TR/TF	1.0/1.0	ns	
Input and Output Timing Reference Level		0.9	V	1

**Note:** 1. See SRAM AC test output load on page 11.

**JTAG AC Characteristics**

Parameter	Symbol	Min	Max	Unit	Note
TCK Cycle Time	t <sub>CHCH</sub>	50	-	ns	
TCK High Pulse Width	t <sub>CHCL</sub>	20	-	ns	
TCK Low Pulse Width	t <sub>CLCH</sub>	20	-	ns	
TMS Input Setup Time	t <sub>MVCH</sub>	5	-	ns	
TMS Input Hold Time	t <sub>CHMX</sub>	5	-	ns	
TDI Input Setup Time	t <sub>DVCH</sub>	5	-	ns	
TDI Input Hold Time	t <sub>CHDX</sub>	5	-	ns	
SRAM Input Setup Time	t <sub>SVCH</sub>	5	-	ns	
SRAM Input Hold Time	t <sub>CHSX</sub>	5	-	ns	
Clock Low to Output Valid	t <sub>CLQV</sub>	0	10	ns	

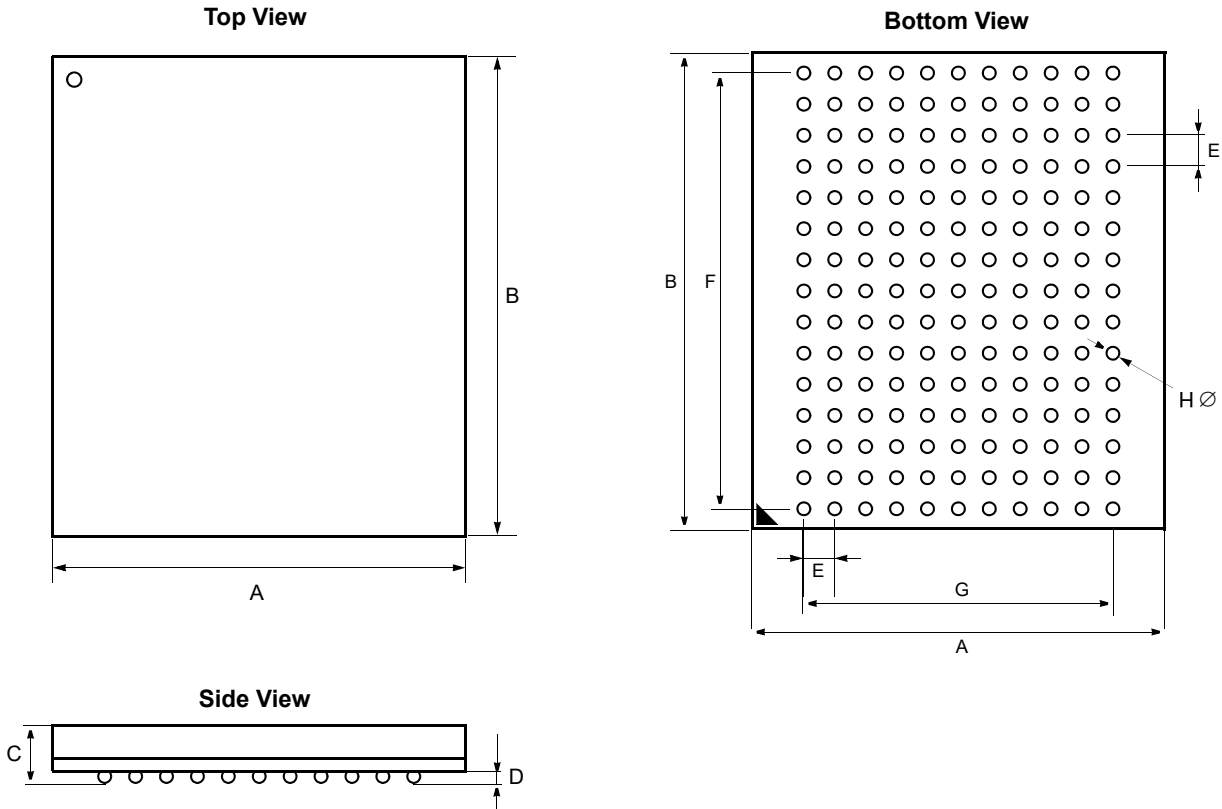
**JTAG Timing Diagram**



**S7I323684M**  
**S7I321884M**

**1Mx36 & 2Mx18 DDRII CIO BL4 SRAM**

165 FBGA Package Dimensions - Lead & Lead Free  
 13mm x 15mm Body, 1.0mm Bump Pitch, 11x15 Ball Grid Array



Symbol	Value	Units	Note	Symbol	Value	Units	Note
<b>A</b>	13 ± 0.1	mm		<b>E</b>	1.0	mm	
<b>B</b>	15 ± 0.1	mm		<b>F</b>	14.0	mm	
<b>C</b>	1.3 ± 0.1	mm		<b>G</b>	10.0	mm	
<b>D</b>	0.35 ± 0.05	mm		<b>H</b>	0.5 ± 0.05	mm	